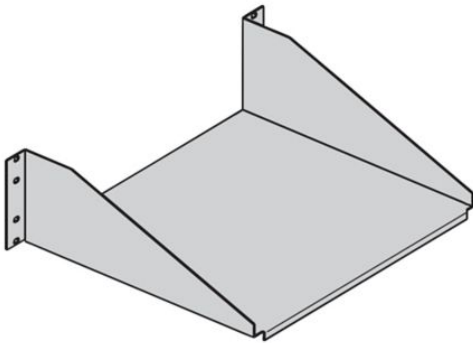


Eaton SB747S1915AAL

Catalog Number: SB747S1915AAL

Eaton B-Line series open frame racks, Aluminum, #12-24 mounting hardware, Three mounting spaces required, Aluminum - brushed finish, 100 lb load capacity, Single sided rack mounted shelf solid shelf

General specifications



Product Name	Eaton B-Line series open frame racks	Catalog Number	SB747S1915AAL
UPC	799038170501	Product Length/Depth	15 in
Product Height	5.19 in	Product Width	18.31 in
Product Weight	3.8 lb	Certifications	Not Applicable

Product specifications

Special features

Three (3) mounting spaces required

Model

Single sided rack mounted shelf solid shelf

Material

Aluminum

Finish

Brushed aluminum

Resources

Brochures

[RCM and RCM+ brochure](#)

Specifications and datasheets

[Eaton Specification Sheet - SB747S1915AAL](#)



Eaton Corporation plc
Eaton House
30 Pembroke Road
Dublin 4, Ireland
Eaton.com
© 2023 Eaton. All Rights Reserved.

Eaton is a registered trademark.

All other trademarks are property of their respective owners.



[Eaton.com/socialmedia](https://www.eaton.com/socialmedia)